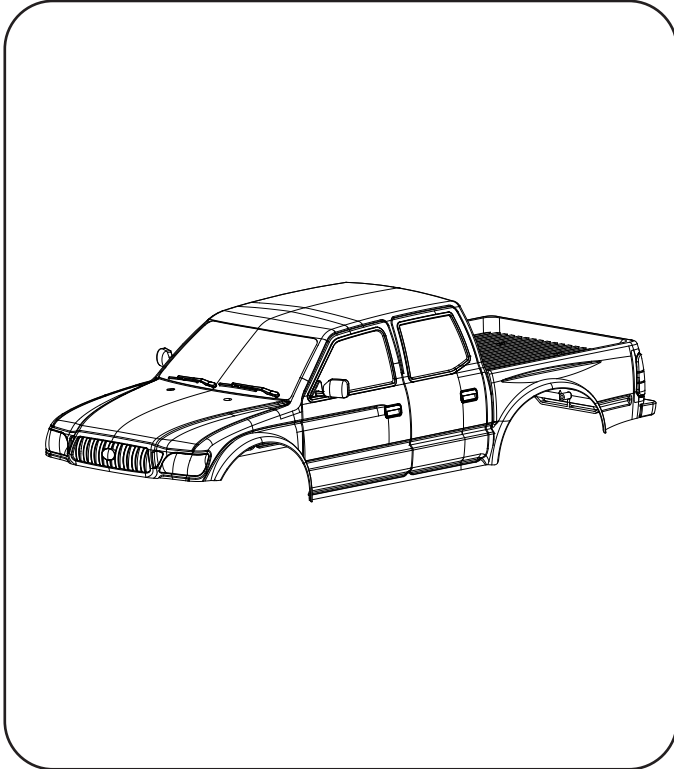


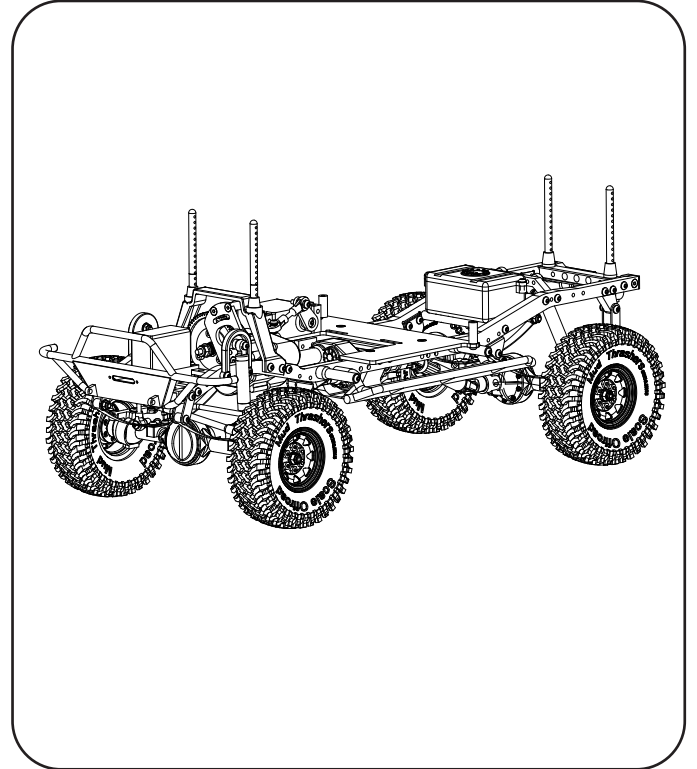


How to install on the Toyota Tacoma with TF2 LWB Chassis.

Step 1. *Remove the lower half of the front Bumper with a knife or hobby saw.*



Step 2. *Install the bumper on the chassis.*



Step 3. *Install the body on the chassis.*

